

General Notes

Details for Slab along Column Gridline

Span Length: 9m
 Clear Span: 8.55m
 Slab Thickness: 300mm
 Drop Panel Thickness: 185mm
 Drop Panel Size: 4.5m x 4.5m
 Column Strip: 25M@155mm
 Middle Strip: 15M@155mm
 Clear Cover: 40mm
 Effective Depths:
 - 247.5mm
 - 222.5mm
 - 432.5mm

Details for Column

Stirrups: 10M@300mm
 Column Size: 450mm x 450mm
 Column Bars: 10-25M
 Bar Spacing: 56.25mm

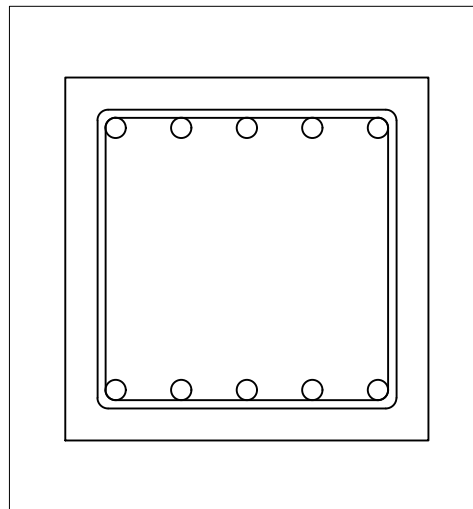
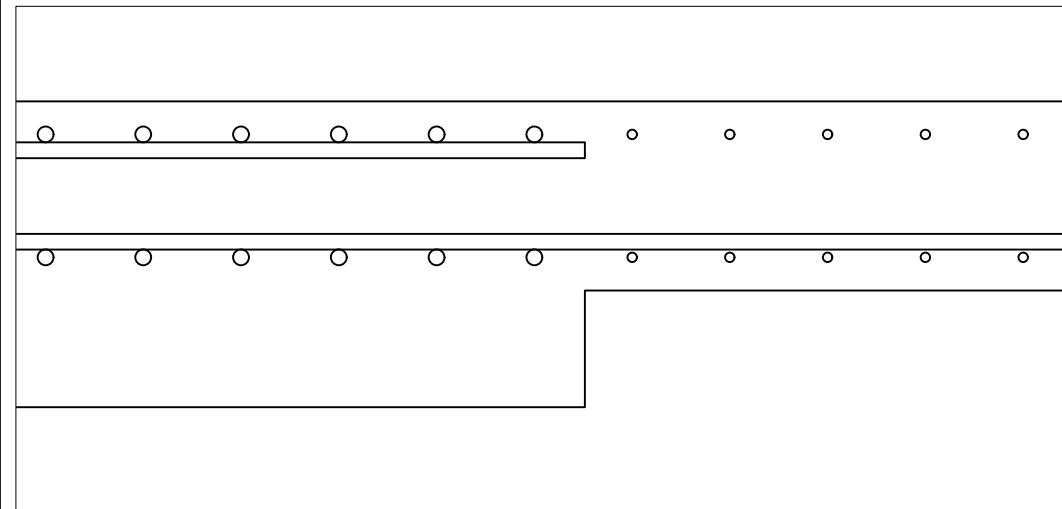
No.	Revision/Issue	Date

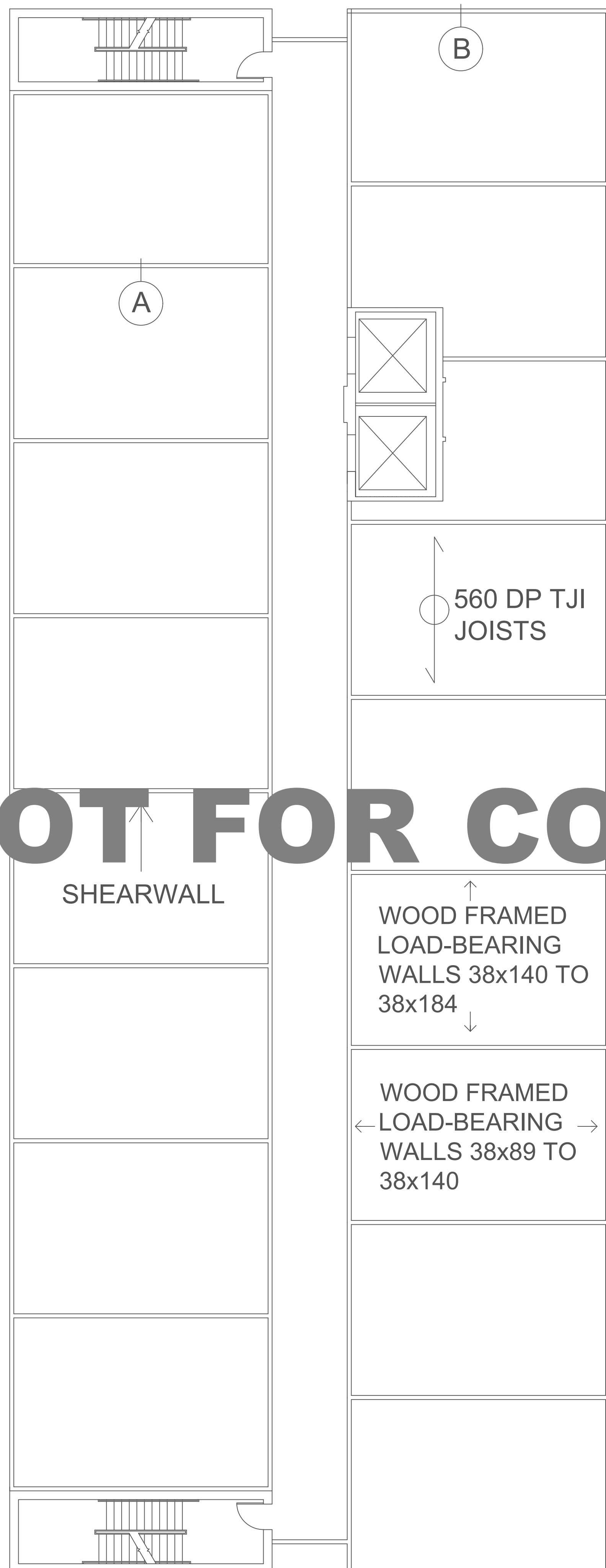
Prep Name and Address

Project Name and Address

Project System Valley Mixed Use Date Scale	Sheet
---	-------

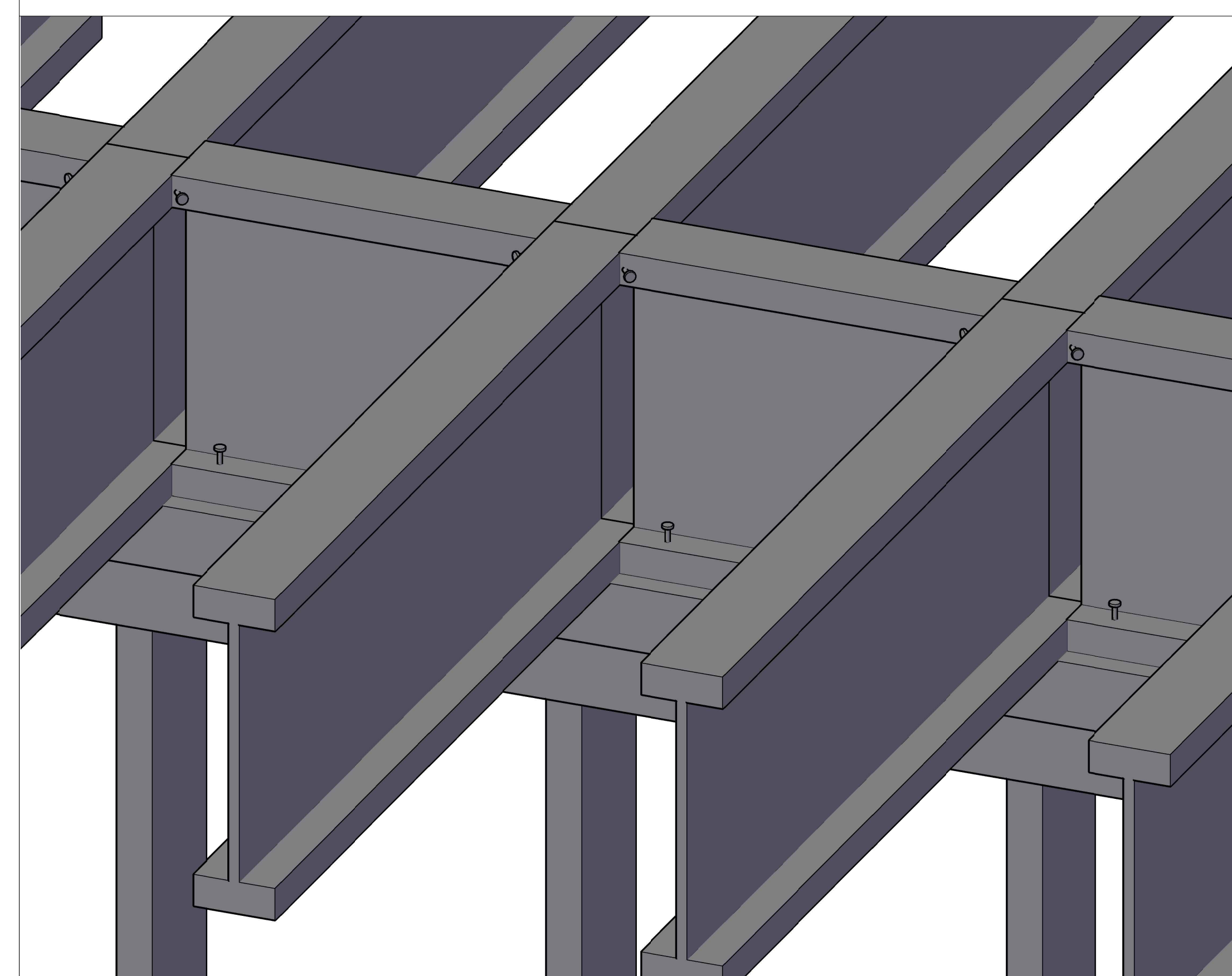
NOT FOR CONSTRUCTION



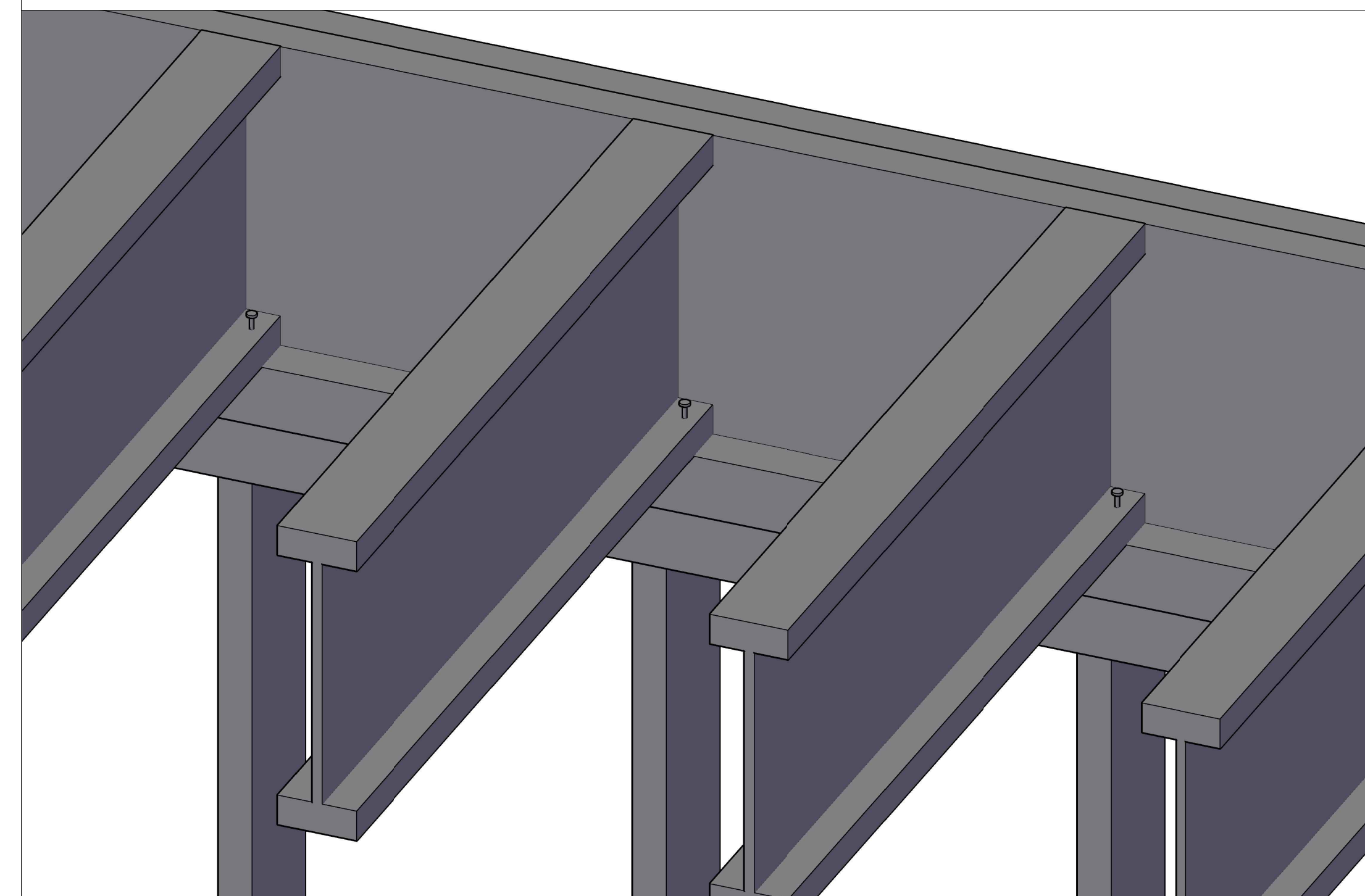


NOT FOR CONSTRUCTION

Detail A



Detail B



General Notes

Blocking nails to be placed at 6" O.C. minimum.

No.	Revision/Issue	Date

Firm Name and Address
ENCI 570 University of Calgary

Project Name and Address

Project S3 Symons Valley	Sheet
Date 03/31/2022	
Scale 1:2519	