

2-10M Bar @ 500mm Spacing (Horizontal Reinforcement)

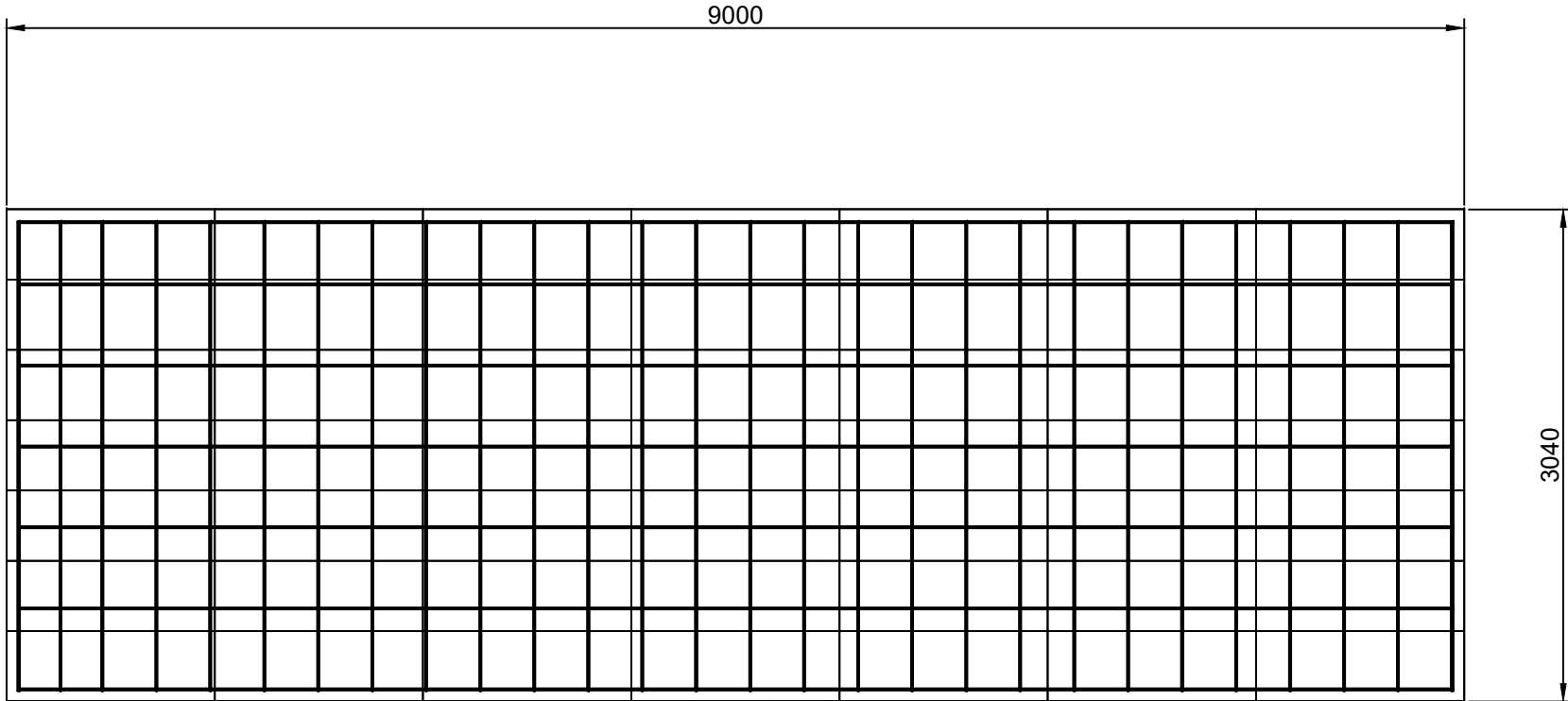
75.00

75.00

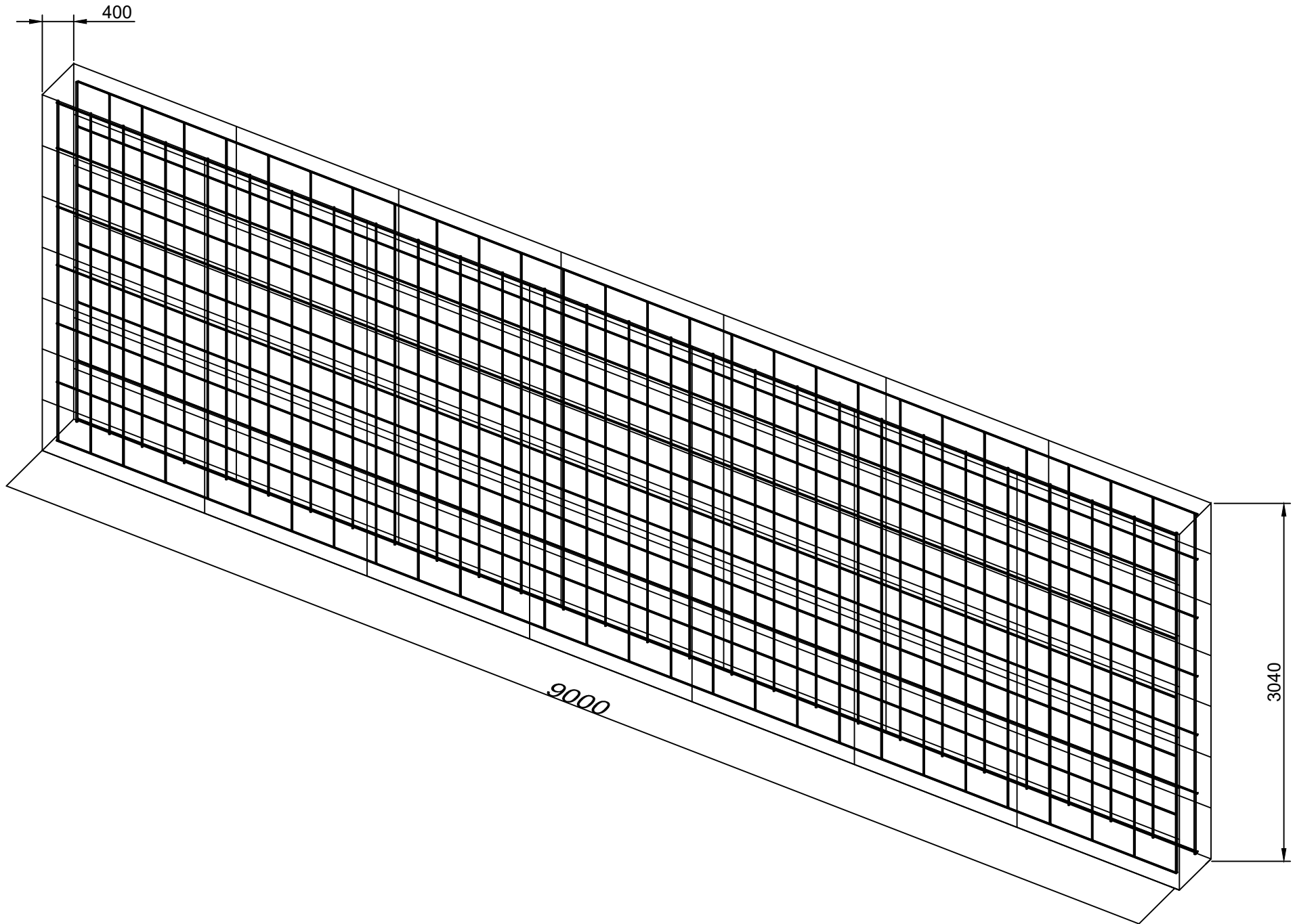
2-15M Bar (Concentrated Reinforcement)

2-10M Bar @ 333.33mm Spacing (Vertical Reinforcement)

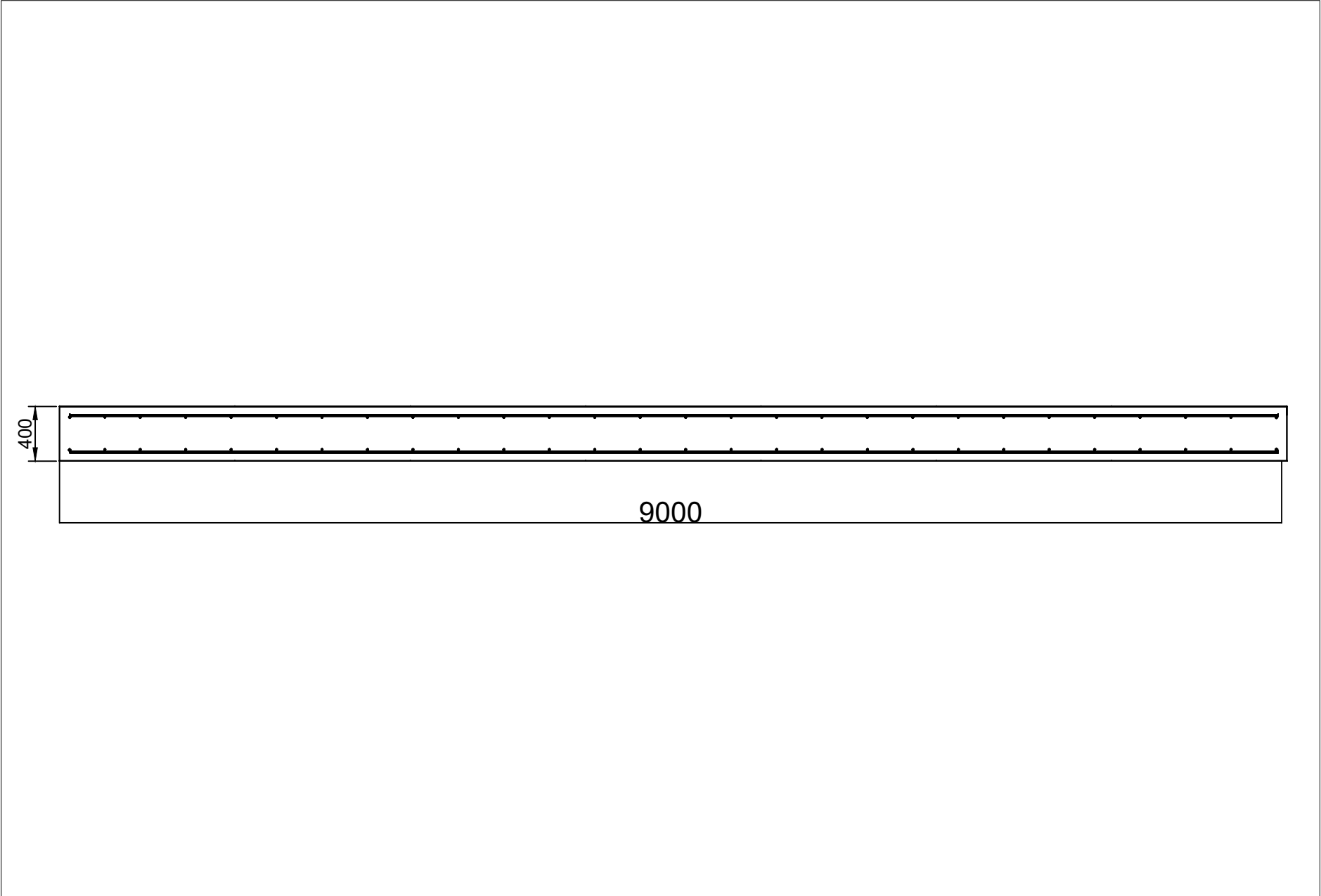
Elevation View (Detail)



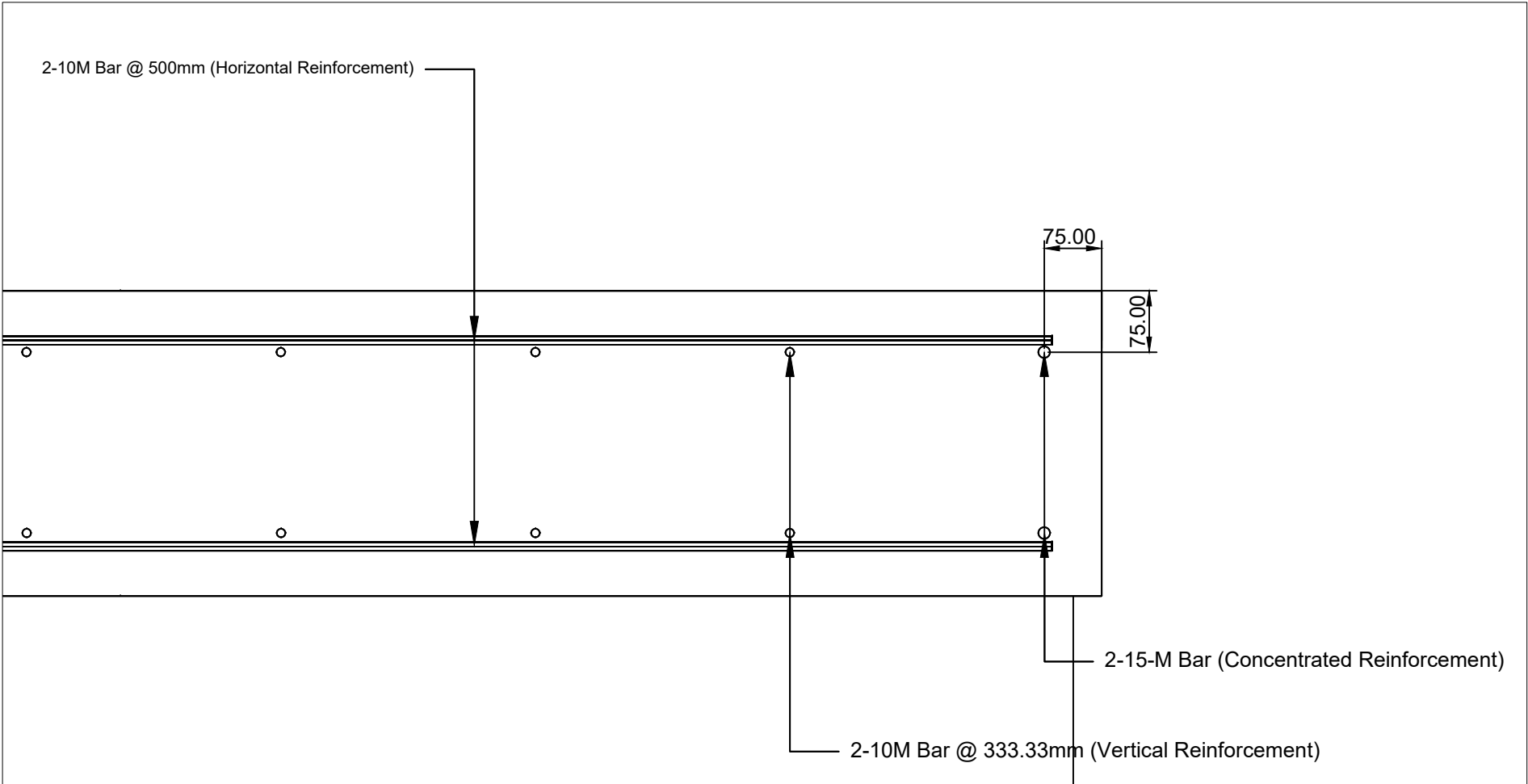
Elevation View



Isometric View



Plan View



Plan View (Detail)