

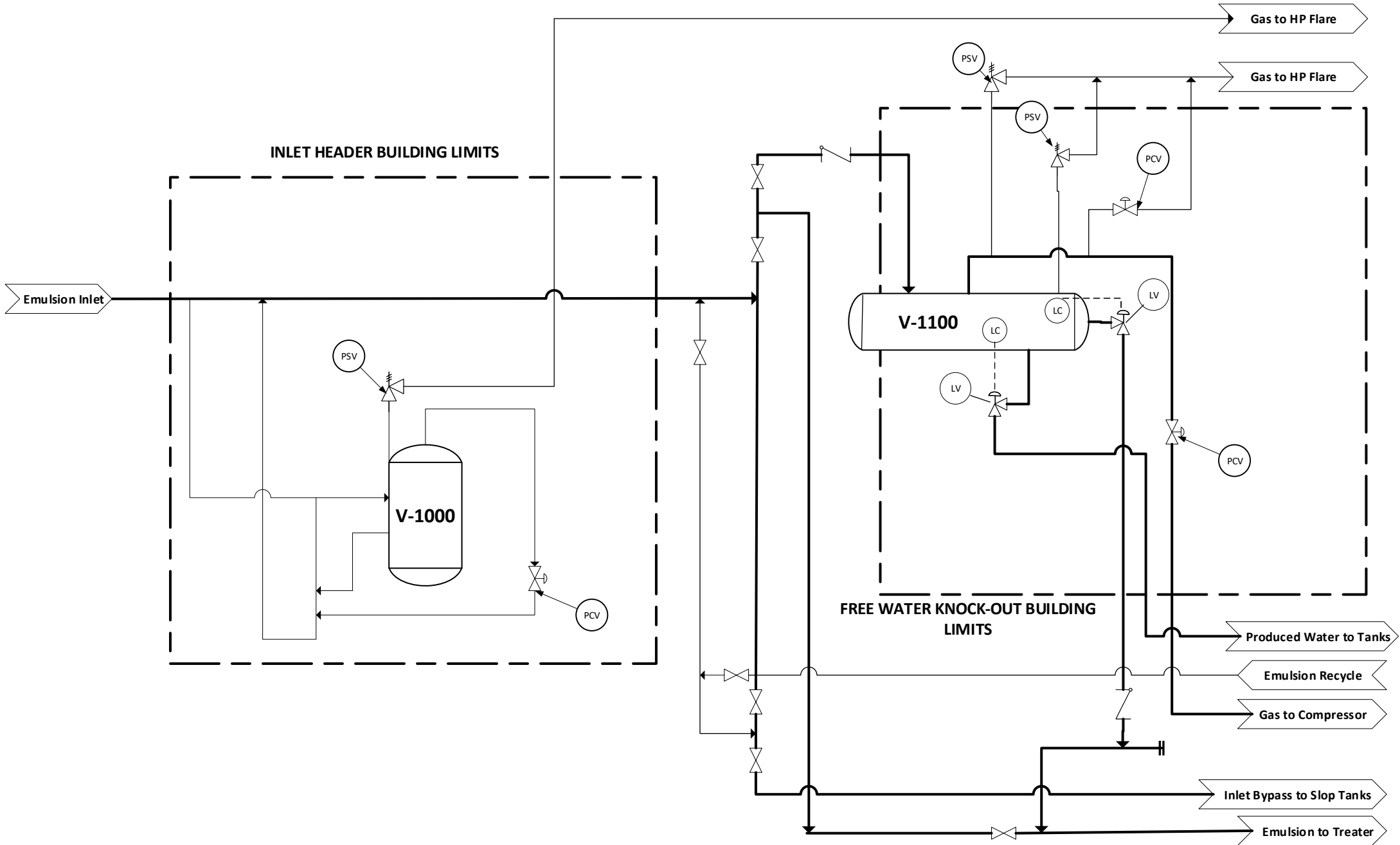
**SUCCESS MAIN
6-10 INJECTION BATTERY
LSD. 06-10-017-16W3**

INLET STREAM COMPOSITION	
DESCRIPTION	FLOW RATE
OIL	316.35 BBL/D
WATER	17071.94 BBL/D
GAS	200.72 MCF/D

EQUIPMENT LIST	
DISCRIPTION	
INLET HEADER TEST SEPARATOR, V-1000	EXISTING
FREE WATER KNOCK-OUT, V-1100	EXISTING
TREATER, V-1200	EXISTING
FUEL GAS SCRUBBER, V-1300	EXISTING
COMPRESSOR SEPARATOR, V-1400	EXISTING
COMPRESSOR, C-5000	EXISTING
OIL TANK, TK-3000	EXISTING
OIL TANK, TK-3100	EXISTING
SLOP TANK, TK-3200	EXISTING
SLOP TANK, TK-3300	EXISTING
WATER TANK, TK-3400	EXISTING
WATER TANK, TK-3500	EXISTING
RECYCLE PUMP, P-4000	EXISTING
WATER INJECTION PUMP, P-4100	EXISTING
OIL PUMP, P-4200	EXISTING
INLET VRU SEPARATOR, V-1500	EXISTING
VRU PUMP, P-4300	EXISTING
VRU, C-5100	EXISTING
HP FKOD, V-1600	EXISTING
LP FKOD, V-1700	EXISTING
HP FLARE, FS-7000	EXISTING
LP FLARE, FS-7100	EXISTING

**V-1000
INLET TEST SEPARATOR**

**V-1100
FREE WATER KNOCK-OUT**

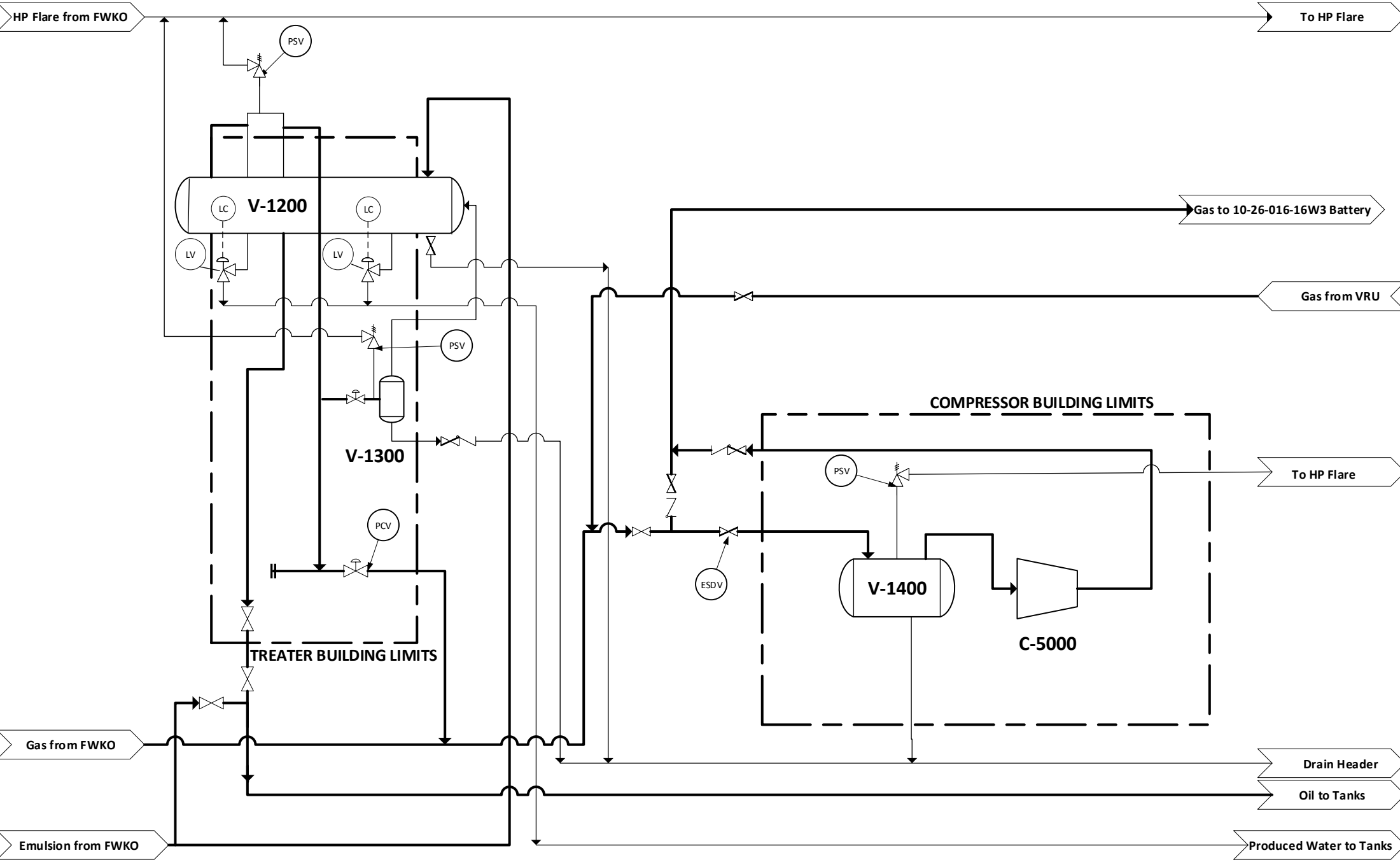


V-1200
TREATER

V-1300
FUEL GAS SCRUBBER

V-1400
COMPRESSOR SEPARATOR

C-5000
COMPRESSOR



TK-3000
OIL TANK

TK-3100
OIL TANK

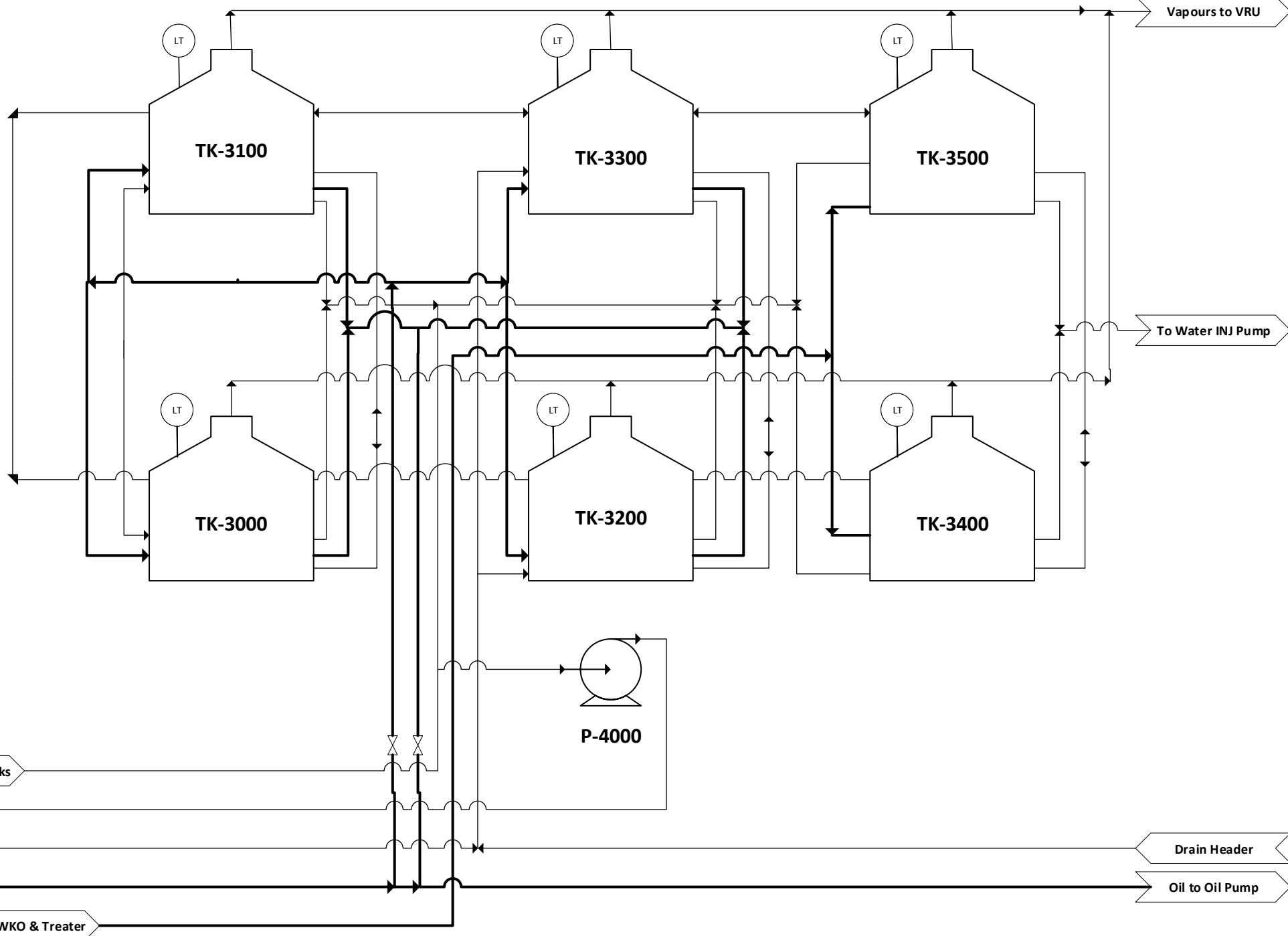
TK-3200
SLOP TANK

TK-3300
SLOP TANK

TK-3400
WATER TANK

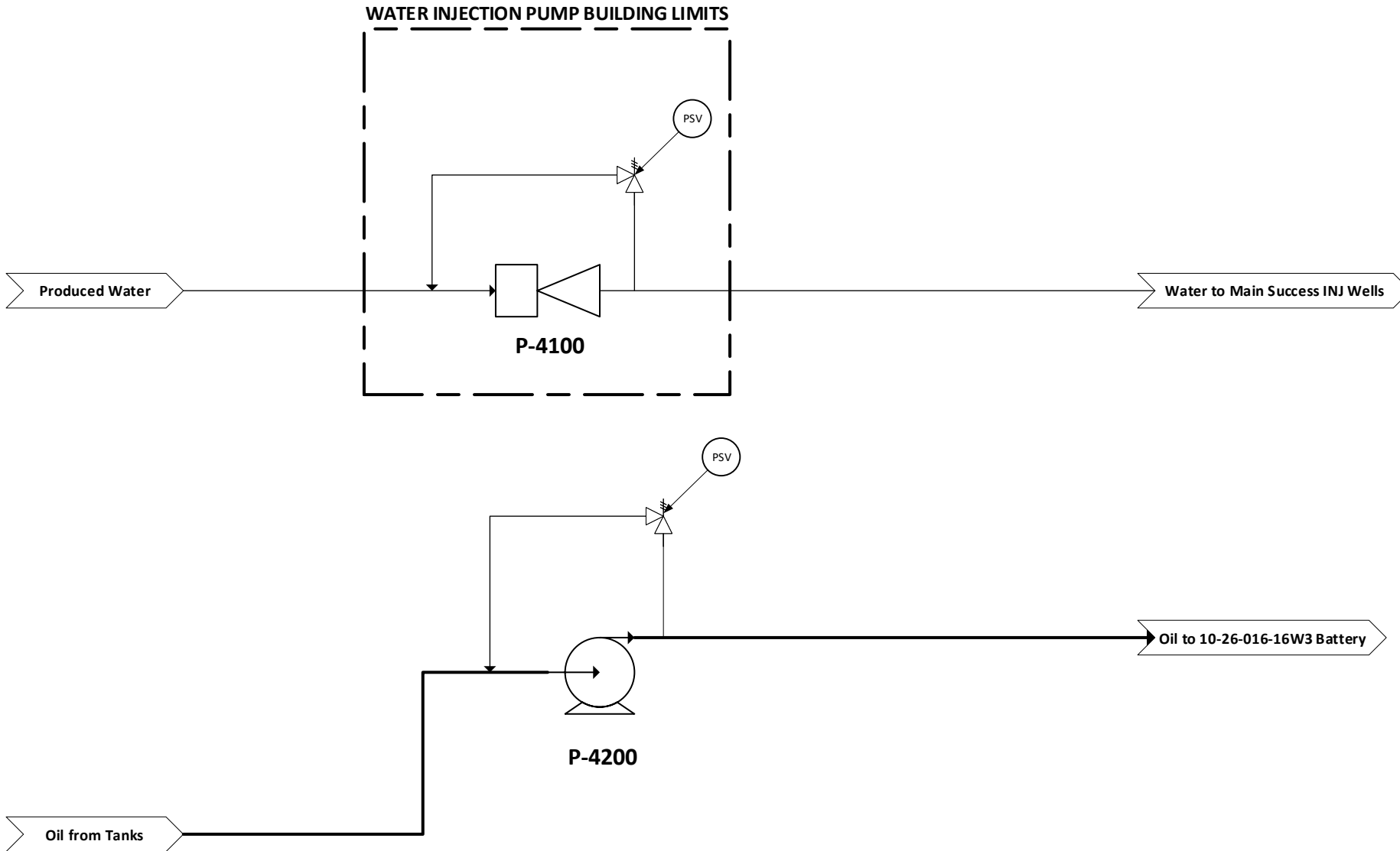
TK-3500
WATER TANK

P-4000
RECYCLE PUMP



P-4100
WATER INJECTION PUMP

V-4200
OIL PUMP



V-1500
INLET VRU SEPARATOR

P-4300
VRU PUMP

C-5100
VRU

V-1600
HP FLARE KNOCKOUT DRUM

FS-7000
HP FLARE STACK

V-1700
LP FLARE KNOCKOUT DRUM

FS-7100
HP FLARE STACK

